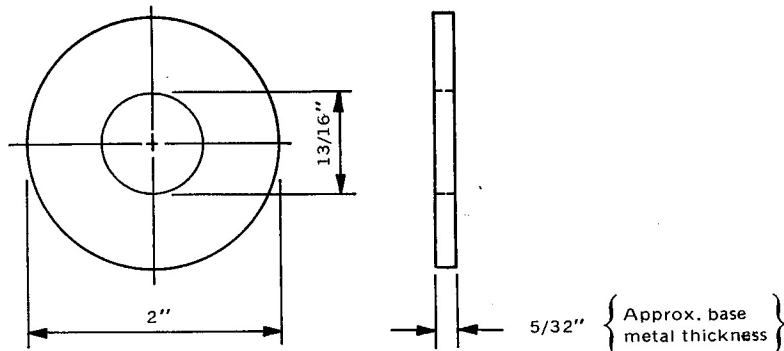


Nut shown on Standards RE-11-73, RE-13-73, and RE-19-73.

**3/4"  $\phi$  HS BOLT**



**STEEL WASHER**

**SPECIFICATIONS**

Bolts shall conform to the requirements of A.S.T.M. A325 or A449 and shall be galvanized in accordance with A.S.T.M. A153 except when corrosion resistant steel bolts are requested in which case bolts shall be made of steel having an atmospheric corrosion resistance approximately two times that of carbon structural steel with copper and shall not be galvanized. Corrosion resistant bolts shall conform to or exceed the mechanical requirements of A.S.T.M. A325.

Washers shall be made of steel and shall be galvanized in accordance with the requirements of A.S.T.M. A153 except when corrosion resistant steel is required in which case the washers shall be made of steel having an atmospheric corrosion resistance approximately two times that of carbon structural steel with copper and shall not be galvanized. They shall meet the dimensional requirements of A.N.S.I. B27.2 Type A plain washers. No punching, drilling or cutting will be permitted after galvanizing.

**INTENDED USE**

This bolt is for fastening internal splices in the standard guardrail design G3 and median barrier designs MB3 and MB3B.

**3/4" HIGH STRENGTH HEX BOLT AND WASHER**

HM-TF-13

STANDARD

F-11-73